

Country of Origin : China
 Operating Temperature : 0~40 [°C]
 Dimension : 93 x 50 x 33 [mm]
 Efficiency level (ErP) :

VI



Approvals / Marks :



Specifications

| Model | Voltage DC [V] | Loading [A] | Max. Power [W] | Ripple / Noise [mV] p-p | Connector [mm] |
|-----------------|----------------|-------------|----------------|-------------------------|----------------|
| SYS1001-0703-T2 | 3,3 | 0~2.2 | 7.26 | 120 | 2.1x5.5x11 |
| SYS1001-1105-T2 | 5 | 0~2.1 | 10 | 120 | 2.1x5.5x11 |
| SYS1001-1108-T2 | 7,5 | 0~1.6 | 11 | 120 | 2.1x5.5x11 |
| SYS1001-0909-T2 | 9 | 0~1.33 | 9 | 120 | 2.1x5.5x11 |
| SYS1001-1212-T2 | 12 | 0~1.0 | 12 | 200 | 2.1x5.5x11 |
| SYS1001-1215-T2 | 15 | 0~0.8 | 12 | 200 | 2.1x5.5x11 |
| SYS1001-1218-T2 | 18 | 0~0.66 | 12 | 240 | 2.1x5.5x11 |
| SYS1001-1224-T2 | 24 | 0~0.5 | 12 | 240 | 2.1x5.5x11 |

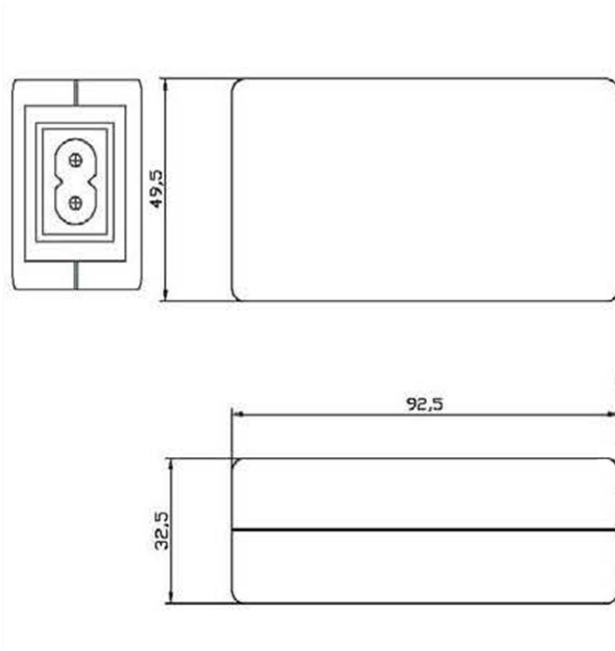
Features:

Available in inlet version: C7 (T2)
 Output connector: standard: 2.1 x 5.5 x 11mm or customer requirement | Regulated Output With Low Ripple Noise | Safety Agency Requirements and EMI/EMS Certified
 Private Label Marking Available | Modified and Custom Design Available | 2 Years Warranty

| OUTPUT | |
|-----------------------------------|---|
| Turn delay | 3000ms max@AC low line input@output full load |
| Hold up time | 8ms min@AC nominal input@output full load |
| Efficiency (Normal) | >80%@115v/60HZ,230V/50HZ input & Full load |
| Transient response (dv,tmax) | 0.4V dv max At AC nominal input loading from 20%load to 80% 16ms tmax Dynamic rise time 10 us max,duty 40ms max,Dynamic load step is slew rate of 0.5A/us |
| Power out.Limit | 12W |
| Burn in limit | Full load 2 Hours |
| Power consumption | 0.1W max. At AC nominal input@output min load |
| INPUT | |
| Voltage | (90~264)VAC |
| Frequency | (47~63)hz |
| Current | 0.5A rms@AC low line input and DC output full load |
| Inrush Surge Current (cold start) | 30/40A max@power supply cold start,ambient temperature 25°C @115Vac/230Vac nominal AC input |
| leakage current | 0.25mA Max |
| PROTECTION | |
| Over current/ Short protection | The power supply will be auto recovered when over current or short circuit faults remove (fold back). Is defined as any output impedance of less than 0.1Ω.The power supply will be auto recovered when short circuit faults remove |
| Over Voltage | The power supply will not be auto recovered when faults remove |
| Input protection | F1:1A 250V Fuse The power supply shall be protected against |
| No Load protection | The power supply is provided with no load operation to prevent |
| Protection class | II |

| CE | |
|--|---|
| EMC | 2014/30/EU |
| LVD | 2014/35/EU EN 60950-1:2006+A11+A1+A12+A2 EN 62368-1 |
| SAFETY | |
| cTUVus FCC GS CE CB RCM SAA PSE EAC UKCA | |
| OTHERS | |
| Dielectric Strength | I/P-O/P:3000VAC |
| M.T.B.F | 500,000 Calculated Hours at 25°C, by Telcordia SR-332 |
| Cable Length | 1370mm (4.5 feet) standard cable or as required |
| PLD (power line disturbance) | Line power surge Line voltage SAG-more info on request |
| Cooling method | Natural Convection Cooling |
| Housing material | PC + ABS |
| Temperature coefficient: | < ±0.5% / °C |
| ENVIRONMENT | |
| Temperature | Operating: 0~40°C / Storage: -20~85°C |
| Humidity | Operating: 8%~90%RH / Storage: 5%~95% RH non condensing |
| WEIGHT | |
| NW: | 108g/pc |
| GW: | 129g/pc |
| PACKING | |
| Box | 100 pcs/1 box |

Mechanical case specification:



Cable specification:

