

AC/DC Open Frame

Made in Europe

Single and Dual Output Series Regulated Series ECV

Voltage regulated

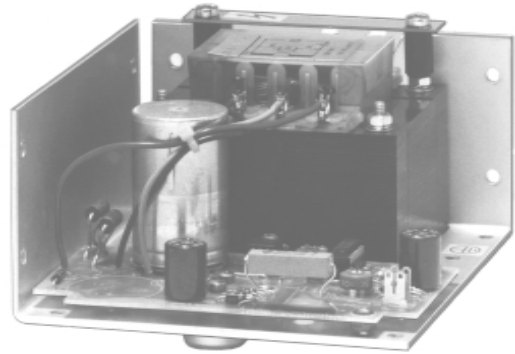
Output power 15 ÷ 100 W

Split bobbin transformer to VDE 0511, EN60742

Compatible with other open frame ranges

High industrial standard

Compact construction



Input:

Input voltage (AC) 115/230 V_{AC} -10% +6%,
47 ÷ 63 Hz

Output:

Output voltage see table
Output current see table
Output power see table

Regulation:

Line regulation ±0,05% U_{out}
(AC line change ± 10%)
Load regulation ±0,05% U_{out}
(50% ÷ 100% output load
change)
Dynamic response 50 μs
Ripple and noise 3 mV_{pk-pk}
Temperature coefficient 0,02%/K

Protection:

Overload protection power limit,
short circuit protection
Overvoltage protection standard on output 5 V
6,2 V ± 0,4 V
protection on other outputs
consult factory
universal OVP adjustable
4 ÷ 36 V,
dual output models:
U_{out1} and U_{out2} active,

Environmental Specifications:

Operating temperature 0 ÷ +70 °C
Derating 2%/K
+40 °C ÷ +70 °C
Cooling free air convection

Safety:

Safety standard

EN60950
split bobbin transformer
to EN60742
input - ground: 3,0 kV_{rms}
input - output: 1,5 kV_{rms}
output - ground: 500 V_{rms}

Isolation

EMC:

Input EMI filter
Input immunity

EN50081-1
EN50082-2

Operating and control:

Remote sense

output power ≥ 30 W
up to 0,25 V per wire

Connectors:

Input
Output

soldering lug
6,3 mm Faston

Physical Specification:

Dimensions

see drawing

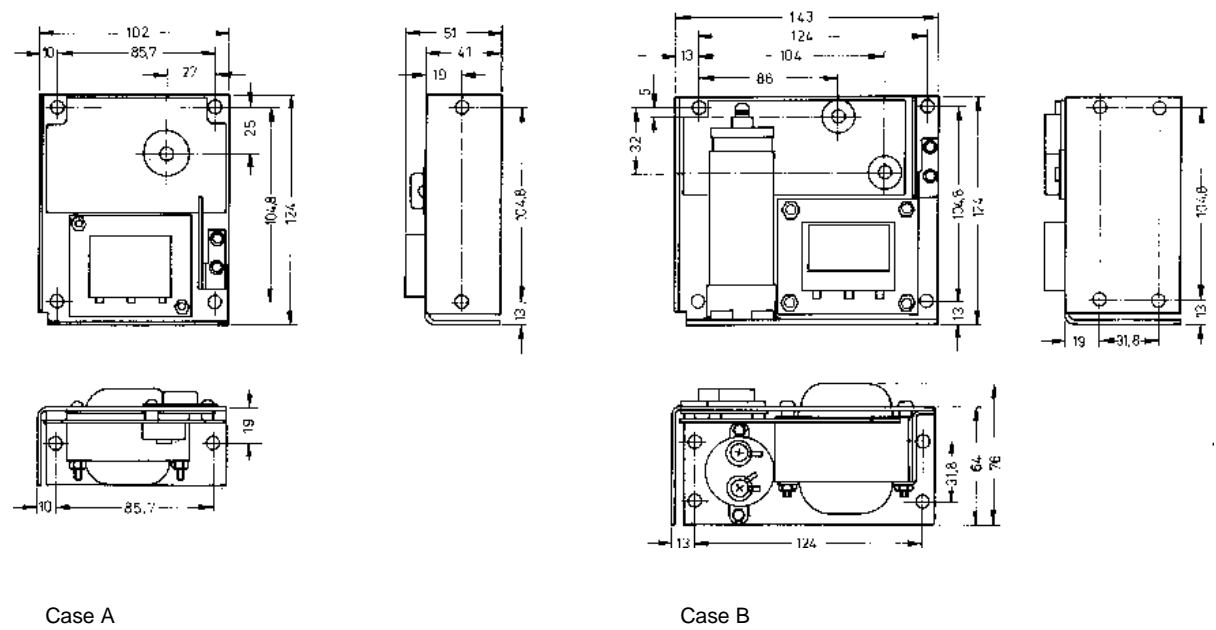
Voltage (V) ¹⁾ / Current (A)		Power (W) free air convection	Case	Model Number
U _{Out1}	U _{Out2}			
5/2,7		15	A	ECV5N3-1
12/1,5		20	A	ECV12N1.7
12/3,0		35	B	ECV12N3.4
12/4,5		50	C	ECV12N5.0
12/6,1		70	D	ECV12N6.8
24/1,0		25	A	ECV24N1.2
24/2,2		50	B	ECV24N2.4
24/3,2		75	C	ECV24N3.6
24/4,3		100	D	ECV24N4.8
+11,5-15,5/0,9-0,7	-11,5-15,5/0,9-0,7	20	DA	ECV12D1
+11,5-15,5/1,5-1,4	-11,5-15,5/1,5-1,4	40	DB	ECV12D1.7
+11,5-15,5/3,1-2,7	-11,5-15,5/3,1-2,7	80	DC	ECV12D3.4

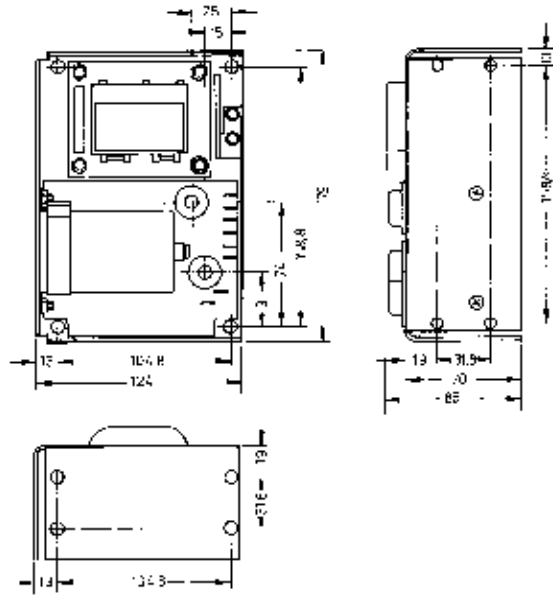
Options:
Overvoltage protection

Output voltage adjust-range:
U_{Out} 11,5 ÷ 15,5 V adjusted 12 V
without adjust-range: ± 10 %

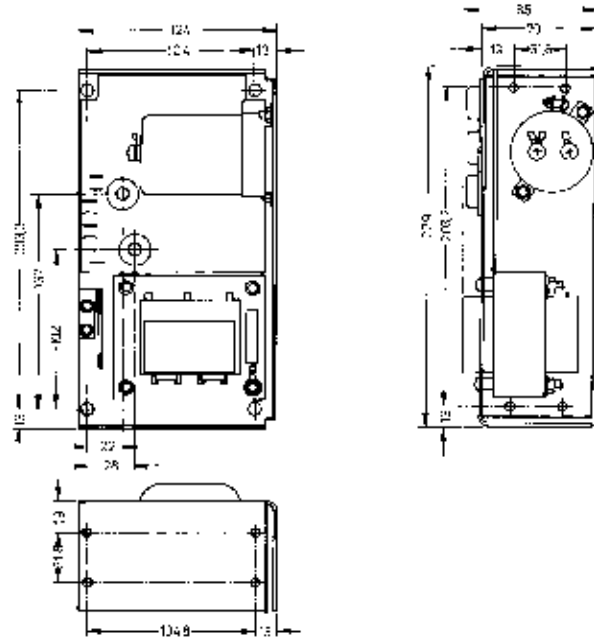
max. continous output power must not exceed the maximum power rating
¹⁾ Output voltages without assigned polarity are isolated from the other outputs

Dimensions in mm

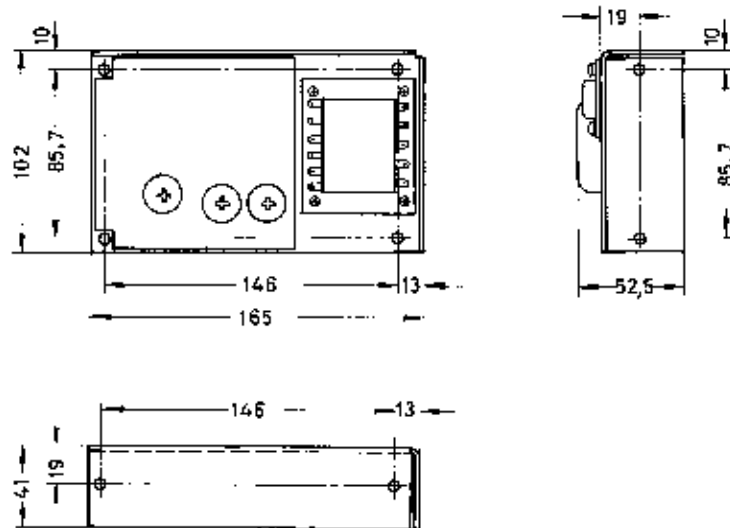




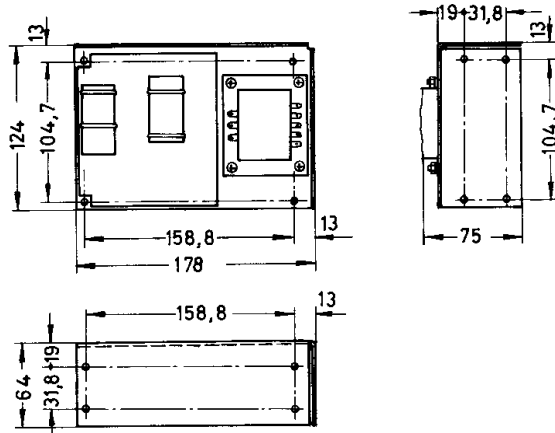
Case C



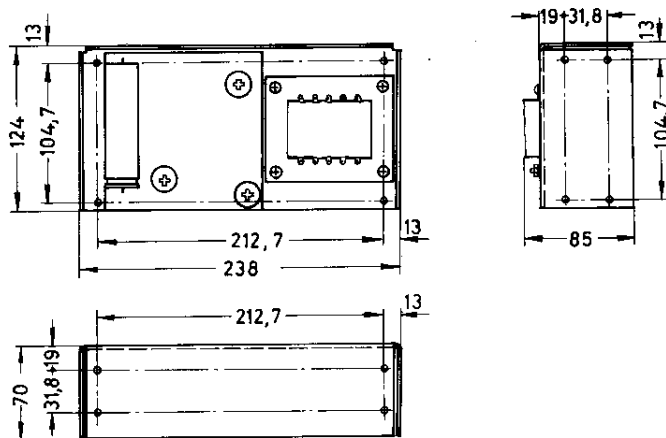
Case D



Case DA



Case DB



Case DC