

MT110-ANS-W POWER SUPPLY / BATTERY CHARGER

Product description

The MT110 ANS-W series are wall mounting convection cooled power supplies / battery chargers with 110Vdc output. They have rear connectivity, a bright 3 digit display on the front and are suitable as a standalone DC power source or to charge batteries. A mating connector for input / output is supplied.

The 5mm plated steel wall mounting bracket has been developed to enable the unit to be mounted with either its side or rear face on the wall, and whilst still having access to the power supply module without taking the bracket off the wall. These rectifiers are designed for high voltage Power Plants, Substations, Oil & Gas installations and many other industrial applications.

Because the units are highly modular it is possible to configure systems with multiple units for higher power or n+1 redundant applications.

If the units are mounted within an enclosure, there is also an optional panel mounting controller available which gives access to parameters and the display of alarms. In this case the rectifier module receives its operating parameters via the internal RS485 bus instead of via the dip switch settings on the front.

Applications

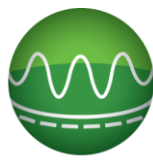
These power supplies are designed for a wide range of applications such as:

- Power supply for all medium to high power DC loads
- Rectifiers in DC systems with battery backup
- Telecommunication
- Industrial control systems
- Charging and buffering of stationary batteries in electrical power plants



Key features

- 5mm thick plated steel wall bracket
- Single Phase, 230Vac Input
- 110Vdc Output, 20A
- Protection for Input and output over voltage, under voltage, over temperature, phase reversal, phase failure, and short circuit
- "Hot plug-in" design with backplane connection
- High power density
- RS 485 Interface for Remote Control, Monitoring and Signaling.
- Digital display for output voltage, current and buttons for adjustment of values
- LED indication for module status reporting.



Input

Type	110V/20A
Model No.	MT110V/20A-ANS-W
Input voltage	230Vac
Input current	14A
Input frequency range	45 Hz-65 Hz
Power Factor	≥ 0.99

Mechanical

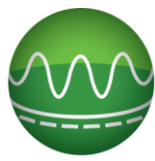
Type	110V/20A
Model No.	MT110V/20A-ANS-W
Weight approx.	16kgs
Dimensions (H/W/D)	309x141x452
Type of enclosure / Protection class	IP 20
Colour (front panel)	Grey

Output

Nominal output voltage (Vnom)	110V DC
Adjustable output voltage range	95-150V
Voltage Stabilization Accuracy	± 0.5%
Current Stabilization Accuracy	± 1 %
Nominal output current (Inom)	20A DC @ 132V
Nominal output power at 143 V DC	3000 W
Efficiency	≥ 95 %
Charge characteristic line	IU Characteristic according to DIN41772/DIN41773
Default value of the charging voltage	110-140 V DC
O/p Overvoltage Vo> (factory set)	156V DC
Voltage ripple	≤ 20mV
Dynamic accuracy of the charging voltage	<3% of Venom at load change from 10% -90%-10% ;Transient time <50 ms
Short circuit protection	15% - 30% of Inom when in short circuit
Parallel operation	Yes .Current Sharing ± 3%
Internal decoupling at the output	Yes ,In positive output line

Technical Data

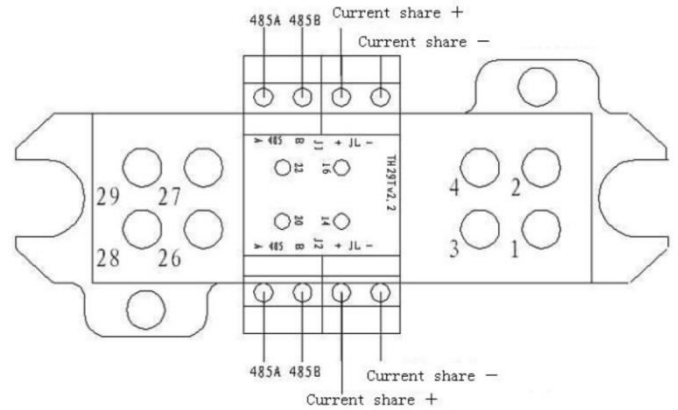
Communications interface	RS 485
Ambient temperature	Operation: -20° to+50° C , Storage:-40° to +60° C
Humidity	≤ 95 % RH
Cooling	Air Natural
Climatic conditions	IEC-68-2-2, IEC-68-2-3, IEC-68-2-6
Max. installation altitude	≤2000 m
Audible noise	< 50 db
Connections	AC Input DC Output and Signalization at rear
CE conformity	Yes
Compliance to EMC standards	EN61000-4-2, EN-61000-4-6, EN-61000-4-3, EN-61000-4-12
Air Pressure	70-106 Pa
Insulation Resistance	Input Chassis & Output > 10M Ohms at 500VDC
Dielectric strength	2000V between Input, Output & Chassis for 1Min.



Parameters Adjustable Via DIP Switch

Dip Switches	Function	Setting Range	Default
0000	Working mode	0-Independent 1-Manual 2-Automatic	2
0001	Communication Protocol	0-Modbus 1- ZTM	1
0010	Over voltage alarm	Under voltage threshold-150V	130V
0011	Under voltage alarm	Under voltage threshold-95V	95V
0100	Charging state	0-Float charge 1-Boost charge	0
0101	Float charge voltage	95-150V	121V
0110	Boost charge voltage	88-150V	126V
0111	Charging current limit set	10%-105% rated current	105%
1000	Current threshold float to boost charge	105%	80%
1001	Current threshold boost to float charge	0.5	20%
1010	Tail current charging time	0-10 Hours	3
1011	Boost charge time	0-99 Hours	10
1100	Boost charge cycle	0-999 Days	180
1101	Fault output node set	0-Normally Open 1-Normally Closed	0

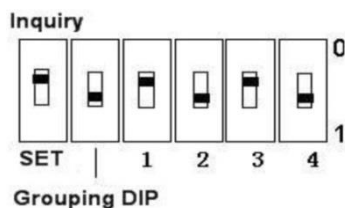
Connector



20A module

Pin	Definition	Function
1	DC+	DC output+
2	DC-	DC output-
26	G	Earth Input
28	B	Live Input
29	C	Neutral Input

DIP Switch Operation



Settings can be configured by using the DIP Switches and the ▼,▲ buttons. To begin, the first DIP switch must be placed in position 1, and the required function entered on the remaining DIP switches. Press the 'V/A' button once and the display will flash. The value can now be adjusted using the ▼,▲ buttons. Press the V/A button once more to store the value.