



USV-Power

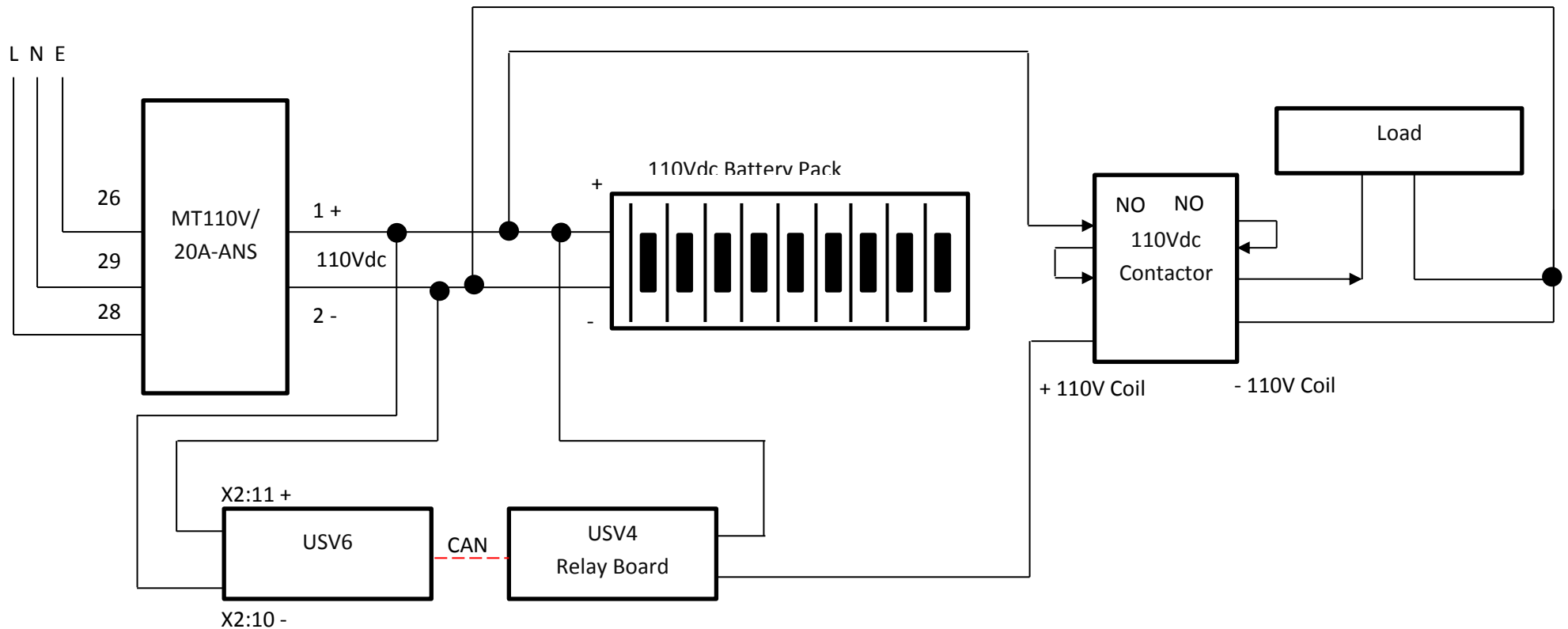
DC-UPS SYSTEM

USV 6

SETUP GUIDE

MT110V VERSION

Electrical Schematic – MT110V DC UPS



The hysteresis setting on the USV6 is factory set to 5%, but for this application it may need to be increased to around 10% to ensure the battery is not turned on as the battery voltage rises after cut off is reached.

On the 110Vdc contactor, you must wire the contact through at least two sets of normally open terminals. The contactor we provide will have four terminals, so the more terminals this is wired through, the better. This will allow you to terminate the current that you require, and it is essential this is wired correctly, as per the diagram.

CAN Communication Drawings

PC USB to RS232 Cable Included

