

MT220-AN3 POWER SUPPLY / BATTERY CHARGER

Product description

The MT220-AN3 series are rack mounting convection cooled power supply modules with 220Vdc output. They are 6U high with rear connectivity and are suitable as a standalone DC power source or to charge batteries. The mating connector for input and output is supplied separately so the units can be used with or without a 19" subrack as long as correct airflow is allowed for. These rectifiers are designed for high voltage Power Plants, Substations, Oil & Gas installations and many other applications.

Because the units are highly modular it is possible to configure systems with multiple units per rack for higher power or n+1 redundant applications. The robust construction with rugged metal handles make them ideal for industrial hot swap applications.

Each rectifier can be used as a standalone power supply or battery charger with all parameters programmed via the dip switches on the front (see page 3). Alternatively they can be used with an optional control and monitoring unit which delivers operating parameters via an internal RS485 Bus. Modules will still operate with their default values if the monitoring unit is disconnected, therefore the continuity of all connected loads and the charging of batteries are guaranteed without any interruption.

Applications

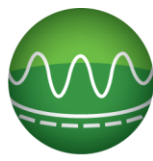
These power supplies are designed for a wide range of applications such as:

- Power supply for all medium to high power DC loads
- Rectifiers in DC systems with battery backup
- Telecommunication
- Industrial control systems
- Charging and buffering of stationary batteries in electrical power plants



Key features

- Three-phase Input, 415Vac without neutral
- 220Vdc Output, 10A and 20A
- Protection for Input and output over voltage, under voltage, over temperature, phase reversal, phase failure, and short circuit
- "Hot plug-in" design with backplane connection
- High power density
- RS 485 Interface for Remote Control, Monitoring and Signalling.
- Digital display for output voltage, current and buttons for adjustment of values
- CE Certification for Safety and EMC
- LED indication for module status reporting.



Input

Type	220V/10A	220V/20A
Model No.	MT220V/10A-AN3	MT220V /20A-AN3
Input voltage	350 – 460VAC	
Input current	4.6 A	9.2 A
Input frequency range	45 Hz-65 Hz	
Power Factor	≥ 0.93	

Output

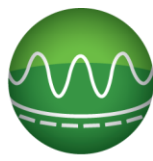
Nominal output voltage (Vnom)	220V DC	220V DC
Adjustable output voltage range	190V-300V DC	
Voltage Stabilization Accuracy	± 0.5%	
Current Stabilization Accuracy	± 1 %	
Nominal output current (Inom)	10A DC @ 285V	20A DC @ 285V
Nominal output power at 143 V DC	3000 W	6000 W
Efficiency	≥ 95 %	
Charge characteristic line	IU Characteristic according to DIN41772/DIN41773	
Default value of the charging voltage	220-240 V DC	
O/p Overvoltage Vo> (factory set)	302V DC	
Voltage ripple	≤ ± 0.5%	
Dynamic accuracy of the charging voltage	<3% of V nom with load change from 10% -90%-10% ;Transient time <50 ms	
Short circuit protection	15% - 30% of Inom when in short circuit	
Parallel operation	Yes ,current Sharing ± 3%	
Internal decoupling diode at the output	Yes ,in positive output line	

Mechanical

Type	220V/10A	220V/20A
Model No.	MT220V /10A-AN3	MT220V /20A-AN3
Weight approx.	9kgs	16kgs
Dimensions (H/W/D)	263x139x325	355x154x400
Type of enclosure / Protection class	IP 20	
Colour (front panel)	Grey	

Technical data

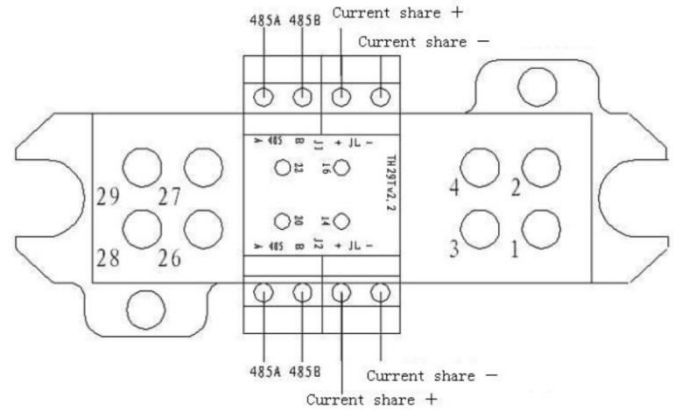
Communications interface	RS 485
Ambient temperature	Operation: -20° to+50° C , Storage:-40° to +60° C
Humidity	≤ 95 % RH
Cooling	Air Natural
Climatic conditions	IEC-68-2-2, IEC-68-2-3, IEC-68-2-6
Max. installation altitude	≤2000 m
Audible noise	< 50 db
Connections	AC Input DC Output and Signalling at rear
CE conformity	Yes
Compliance to EMC standards	EN61000-4-2, EN-61000-4-6, EN-61000-4-3, EN-61000-4-12
Air Pressure	70-106 Pa
Insulation Resistance	Input Chassis & Output > 10M Ohms at 500VDC
Dielectric strength	2000V between Input, Output & Chassis for 1Min.



Parameters Adjustable Via DIP Switch

Dip Switches	Function	Setting Range	Default
0000	Working mode	0-Independent 1-Manual 2-Automatic	2
0001	Communication Protocol	0-Modbus 1- ZTM	1
0010	Over voltage alarm	Under voltage threshold-300V	260V
0011	Under voltage alarm	Under voltage threshold-95V	95V
0100	Charging state	0-Float charge 1-Boost charge	0
0101	Float charge voltage	190V-300V	242V
0110	Boost charge voltage	176V-300V	253V
0111	Charging current limit set	10%-105% rated current	105%
1000	Current threshold float to boost charge	105%	80%
1001	Current threshold boost to float charge	0.5	20%
1010	Tail current charging time	0-10 Hours	3
1011	Boost charge time	0-99 Hours	10
1100	Boost charge cycle	0-999 Days	180
1101	Fault output node set	0-Normally Open 1-Normally Closed	0

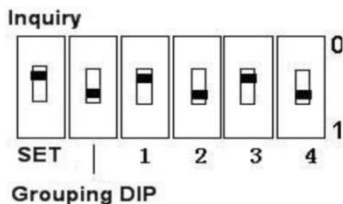
Connector



10A and 20A module

Pin	Definition	Function
1	DC+	DC output+
2	DC-	DC output-
26	G	Earth
27	A	Input 380V
28	B	Input 380V
29	C	Input 380V

DIP Switch Operation



Settings can be configured by using the DIP Switches and the ▼▲ buttons. To begin, the first DIP switch must be placed in position 1, and the required function entered on the remaining DIP switches. Press the 'V/A' button once and the display will flash. The value can now be adjusted using the ▼▲ buttons. Press the V/A button once more to store the value.