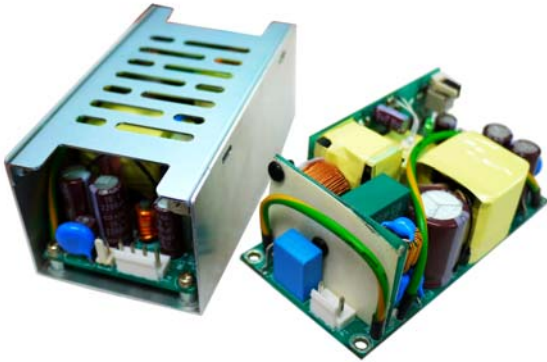


HiTRON

UNIVERSAL INPUT AC-DC MEDICAL & ITE APPLICATION OPEN FRAME INTERNAL SWITCHING POWER SUPPLIES 100WATTS GREEN POWER SINGLE OUTPUT HICM100G SERIES



FEATURES:

- COMPACT 4x2 INCH PACKAGE
- <0.6W NO LOAD POWER CONSUMPTION
- FREE AIR CONVECTION
- UP TO 90% HIGH EFFICIENCY
- -20°C TO +70°C WIDE OPERATING TEMP.
- MEET MEDICAL STANDARDS IEC60601-1 & ITE STANDARDS IEC60950-1
- CE MARKING COMPLIANCE

SPECIFICATION

INPUT SPECIFICATION

Input Voltage: Typical 90-264Vac.
Input Connector: V-H connector.
Input Frequency: 47-63Hz.
Inrush Current: Typical 15A rms at 230Vac.
Input Current: Typ. 0.97A at 115Vac, 0.52A at 230Vac.
Dielectric Withstand: Meet IEC60950-1 and IEC60601-1.
EMI: Meet CISPR PUB. 22 & FCC Class B.
Hold-up Time: Typ. 17.5mS at 115Vac and 230Vac.
Power Factor & Harmonic Correction:
Meet IEC61000-3-2, PF Typ.0.92 at 230Vac.
Earth Leakage Current: Less than 0.27mA at 230Vac.
No Load Power: Less than 0.6W at 230Vac.
Remote On/Off: Available.
Over Temp. Protection: Installed by NTC.

OUTPUT SPECIFICATION

Output Voltage: See Ratings Chart.
Output Current: See Ratings Chart.
Output Connector: V-H connector.
Output Wattage: Typical 100 watts.
Line Regulation: Typical 0.1%.
Load Regulation: Typical $\pm 1.0\%$.
Total Regulation: Typical $\pm 3.0\%$.
Noise & Ripple: Typical 1.0% peak to peak.
OVP: Built-in (Latch).
Adjustability: Available.
Overload Protection (OLP):
Fully protected against outputs overload and short circuit.
Typ. OLP set at 120-140% of rating output power.
Consult the factory for OLP setting.

GENERAL SPECIFICATION

Efficiency: Typ. 91.5% at 230Vac (various with the o/p volt.)
Switching Frequency: 85K Hz.
Circuit Topology: LLC Circuit.
Transient Response: Output voltage returns in less than 3mS following a 25% load change.
Safety Standard: IEC 60950-1 & IEC60601-1 Class I.

Operating Temperature: -20°C to +70 °C with derating.
(please refer to the derating chart).
Storage Temperature: -25 to +85°C.
Cooling: Free air convection.
Construction: PCB & Enclosure optional.
Power Density: 9.4Watts / Cubic Inch.

NOTE: (1) All measurements are at nominal input, full load, and +25°C unless otherwise specified.

(2) Load regulation is measured at 115Vac or 230Vac in percentage to indicate the change in output voltage as the load varied from half load to full load ($\pm\%$).

(3) Due to requests in market and advances in technology, specifications subject to change without notice.

OUTPUT VOLTAGE / CURRENT RATINGS CHART

SINGLE OUTPUT

MODEL NO. (note 1)	MAIN VO1 ★ @				Fan Output			
	Min.	Typ.	Volt.	Max.	Min.	Typ.	Volt.	Max.
HICM100G-S120830	0A	8.3A	12V	8.3A	0A	0.5A	12V	0.5A
HICM100G-S150670	0A	6.7A	15V	6.7A	0A	0.5A	12V	0.5A
HICM100G-S240420	0A	4.2A	24V	4.2A	0A	0.5A	12V	0.5A
HICM100G-S480210	0A	2.1A	48V	2.1A	0A	0.5A	12V	0.5A

Remark: ★ “OVP” built-in “@” Adjustable

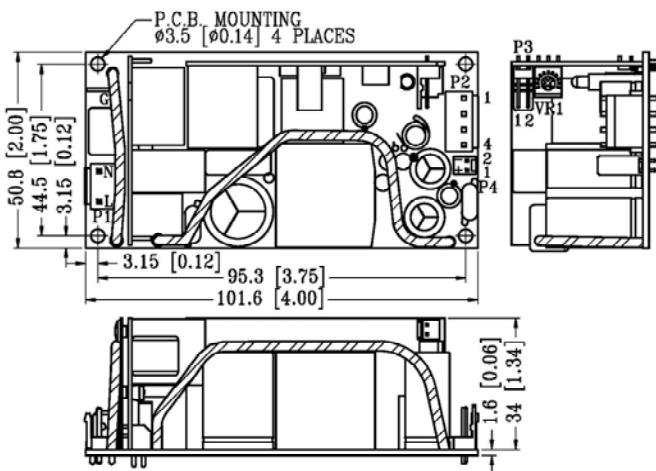
Note: 1. Please add suffix to model number to define type: add “-C” for enclosure (metal box) version, otherwise will be PCB version.

For example: HICM100G-S120830 is for PCB version, HICM100G-S120830-C is for enclosure (metal box) version.

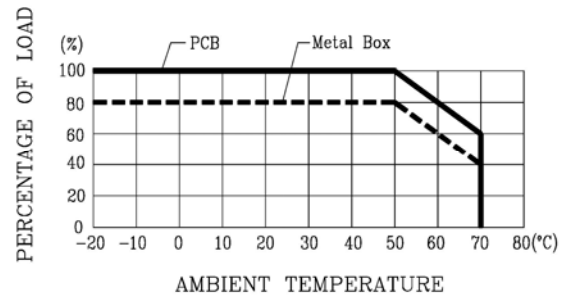
2. Derate output power by 20% for enclosure version.

MECHANICAL DIMENSIONS: MM [INCHES]

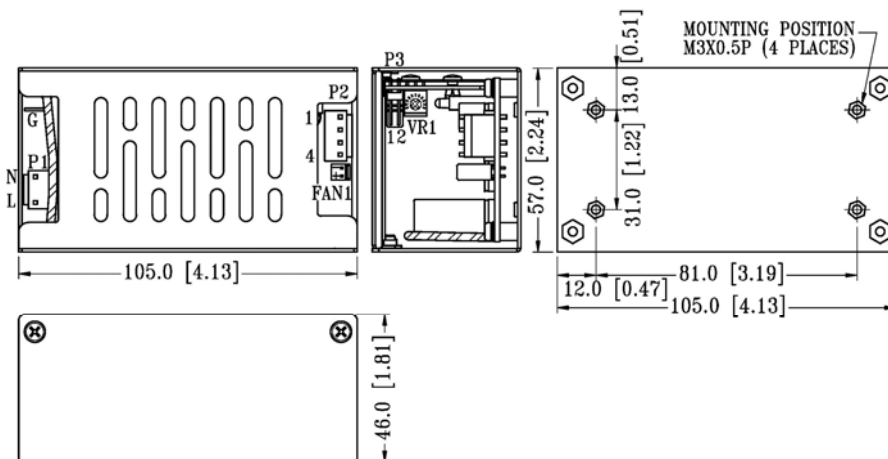
PCB Version



DERATING CHART



Enclosure (Metal Box) Version



INPUT & OUTPUT CONNECTORS PIN ASSIGNMENT

ASSIGNMENT	CNTR/PIN#
AC-LINE	P1-L
AC-NEUTRAL	P1-N
AC-GROUND	GND
VO1	P2-1.2
DC COM	P2-3.4
FAN +	P4-1
FAN -	P4-2
REMOTE ON	P3-1
RTN	P3-2